

veritas[®]
Detail Rabbet Plane



U.S. Des. Pat. No. D605,023

The design of the Veritas® Detail Rabbet Plane is loosely based on both the Preston and Clifton 400 shoulder planes. As an addition to our shoulder plane line, the detail rabbet plane is primarily useful for small trimming tasks where a narrow chisel would often be used. It is handy for getting into tight spaces, as well as for shooting the shoulders of tenons, cleaning up the bottom of dados or grooves, and chamfering (breaking) sharp corners or edges. The plane has a fixed mouth and features a relieved throat to alleviate chip packing. The 3" long ductile cast iron body is accurately machined and ground so that the sole and sides are flat and square, allowing the plane to be used on its side for shooting end grain. The 15° bed angle combined with the 30° blade bevel results in a cutting angle of 45°. The full-width O1 tool steel blade is held in place with a tongue, which functions as both a handle and a lever cap. The plane is available in five widths (6mm, 1/4", 5/16"/8mm, 3/8", and 10mm).

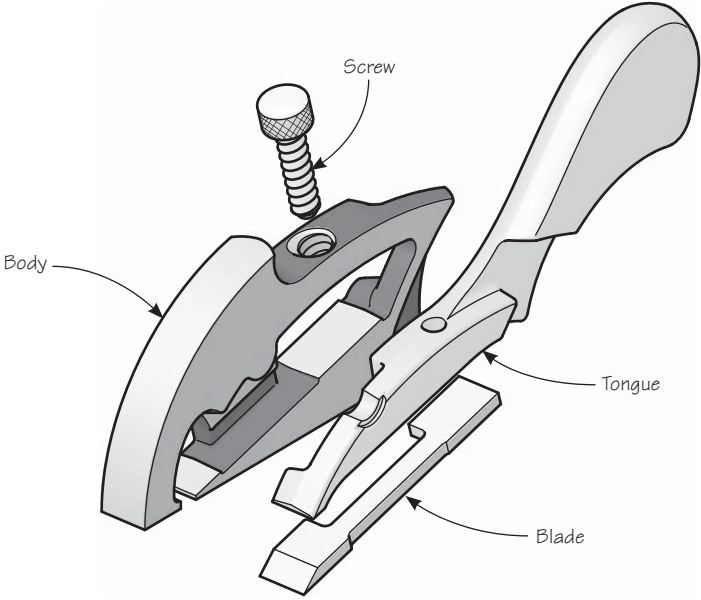


Figure 1: Detail plane components.

Instructions

The plane may be used with a push or pull stroke, and held in a variety of ways, as shown below.

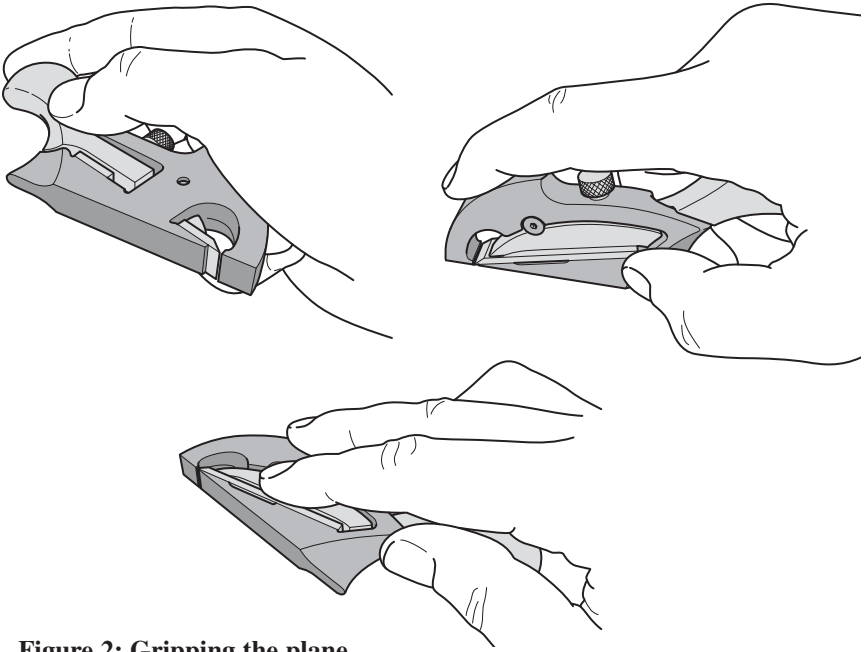


Figure 2: Gripping the plane.

Note: Although the throat is relieved to minimize chip packing, periodic inspection and manual clearing of the throat are nonetheless required.

To disassemble the plane, remove the blade clamping screw and slide the blade outward, as shown in **Figure 3**. Then push the tip of the tongue against the bed, swing the tip out, and pull the tongue out through the body. Reverse these steps to reassemble the plane.

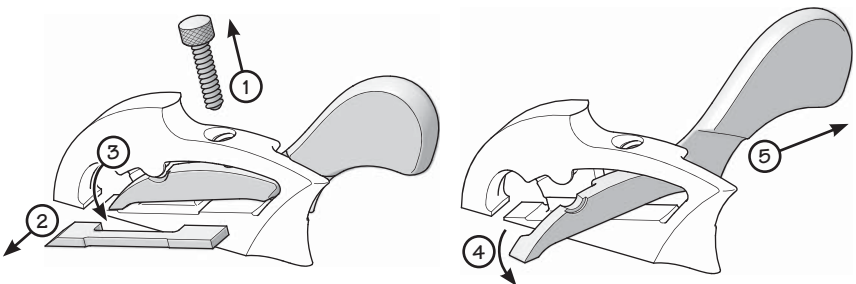


Figure 3: Disassembling the plane.

Blade Adjustment



Caution: Be aware that the blade is sharp; careless handling can result in serious injury.

To adjust the blade depth, skew or lateral projection, nudge a lightly clamped blade with your fingers or a small slot screwdriver.

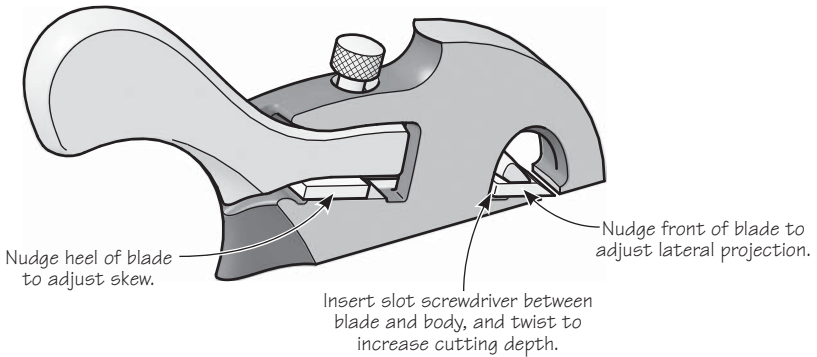


Figure 4: Blade adjustment.

Note: Extremely small adjustments to blade depth can be achieved by changing the clamping force applied to the tongue. Clamp the blade ($1/8$ turn should be ample — **do not overclamp**) and take a test cut on a **flat** scrap of wood. To increase the cutting depth, tighten the clamping knob in small increments.

Blade Sharpening

The detail rabbet plane has a bed angle of 15° and the blade is finely ground at an angle of 30° . Since the blade is used bevel up, the effective cutting angle will be 45° .

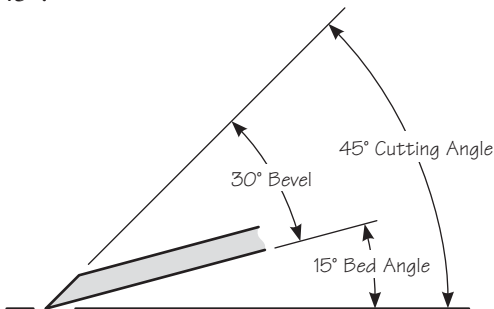


Figure 5: Blade geometry as supplied.

The face of the blade is lapped. Additional sharpening need only involve honing the existing bevel.

Because the blade in the detail rabbet plane is aligned with the side of the plane in addition to being parallel to the sole, the cutting edge must be kept perfectly square with the sides of the blade when sharpening it.

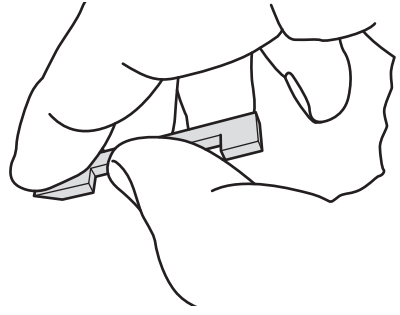


Figure 6: Freehand honing the blade.

Care and Maintenance

The body of this plane is ductile cast iron and comes treated with rust preventative. Remove this using a rag dampened with mineral spirits. Clean all machined surfaces.

We recommend that you initially, then periodically, apply a light coat of silicone-free paste wax or Waxilit® sliding agent and glue release to seal out moisture and prevent rusting (as well as act as a lubricant for smoother planing). Wipe off any wood dust from the surfaces that you will be waxing, apply a light wax coating, let dry, then buff with a clean soft cloth. At the same time, the solvents in the wax will remove any harmful oils left from your fingers that can lead to corrosion.

Keep in mind that typical paste wax contains silicone that, if transferred to your workpiece, could cause finishing problems such as "fish eyes". Before treating a plane with a sealant, wipe off any fingerprints with a cloth dampened with a small amount of light machine oil. Remove any residual oil; then apply the sealant to the plane's sole and cheeks.

If storage conditions are damp or humid, the plane should, in addition to the treatment outlined above, be wrapped in a cloth or stored in a plane sack. This precaution will also guard against dings and scratches.

Every so often, take the plane apart to clean and lubricate it where necessary. Clean all parts with a cloth dampened with a dab of light machine oil. For corroded plane bodies, we recommend you first remove the rust with a fine rust eraser, then treat as described above.

The bright finish on the brass components can be maintained as above. If a patina finish is preferred, simply leave the brass components unprotected until the desired level of oxidation has occurred, then apply a sealant. If you want to make them bright and shiny again, you can revitalize the surface with a brass polish.

Planes and Accessories

05P75.01	6mm Detail Rabbet Plane
05P75.11	6mm Replacement Blade
05P75.03	1/4" Detail Rabbet Plane
05P75.13	1/4" Replacement Blade
05P75.06	5/16"/8mm Detail Rabbet Plane
05P75.16	5/16"/8mm Replacement Blade
05P75.08	3/8" Detail Rabbet Plane
05P75.18	3/8" Replacement Blade
05P75.10	10mm Detail Rabbet Plane
05P75.20	10mm Replacement Blade

veritas[®] Tools Inc.

814 Proctor Avenue 1090 Morrison Drive
Ogdensburg, New York Ottawa, Ontario
13669-2205 USA K2H 1C2 Canada

customerservice@veritastools.com
www.veritastools.com